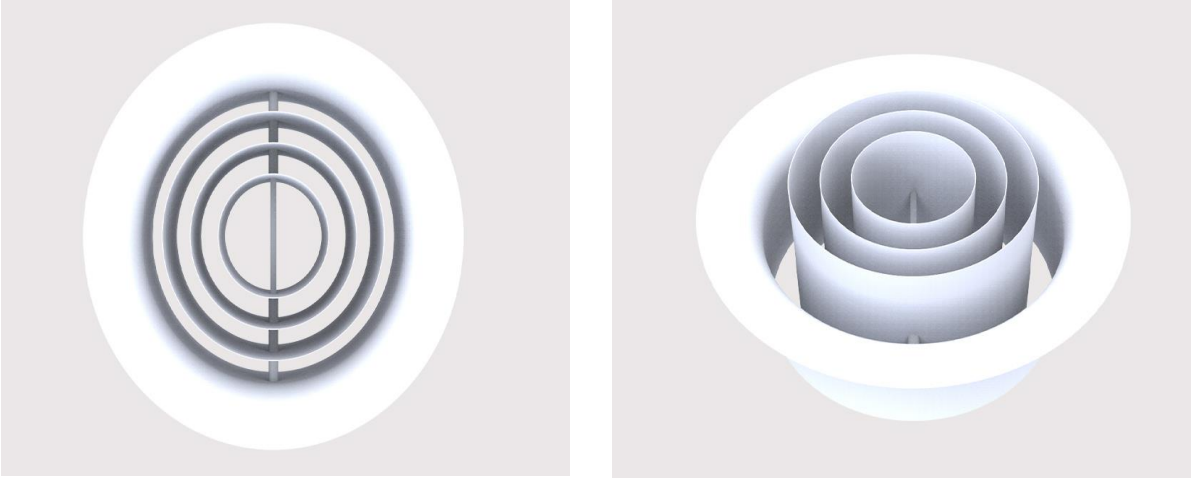


HIGHT FLOW JET NOZZLE DIFFUSERS -CKD-14



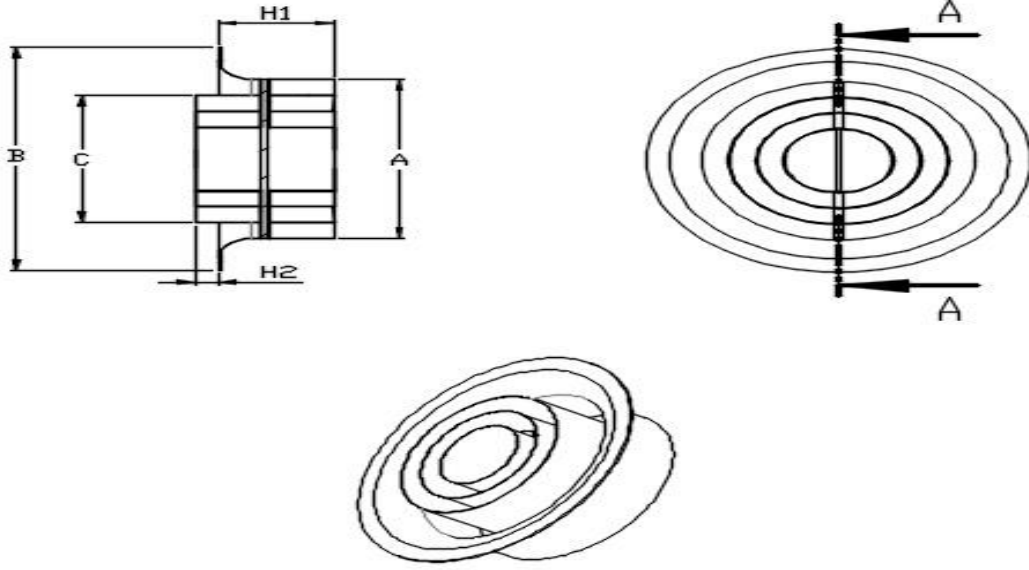
AREAS OF USE AND FEATURES: It is used as blowing diffusers in Hvac systems. It is suitable for vertical and horizontal use. The ideal shooting distance is between 3.5 m -15m. It is used for heating and cooling in sports halls, shopping malls, factory buildings and conference halls where high flow and long throw distances are required. Standard screw mounting. The way of mounting can be changed optionally.

MATERIAL: The frame and nozzle are manufactured from the plate plastering method.

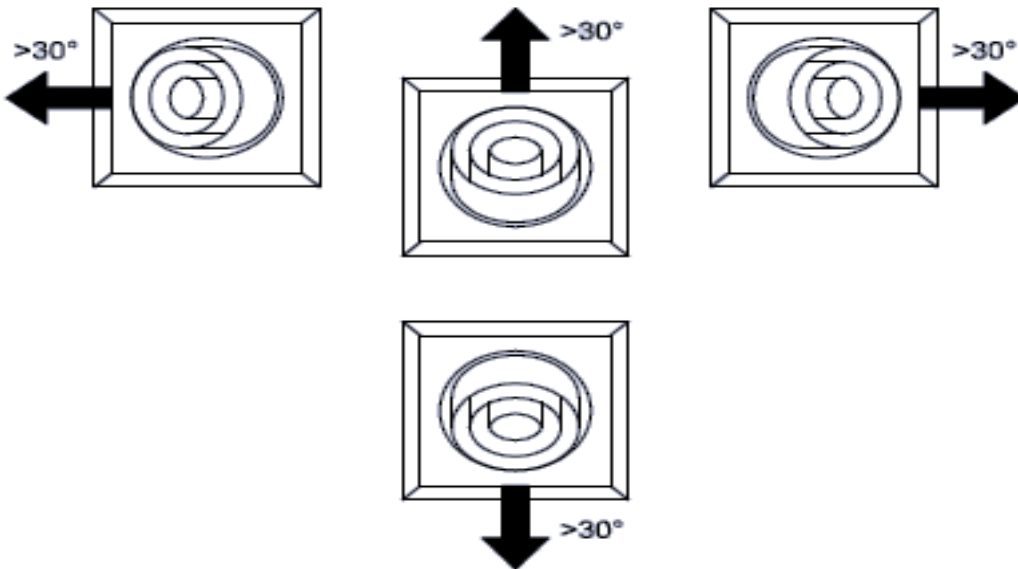
SURFACE COATING: The product can be manufactured in any color with electrostatic powder paint.

ACCESSORIES: Plenum box

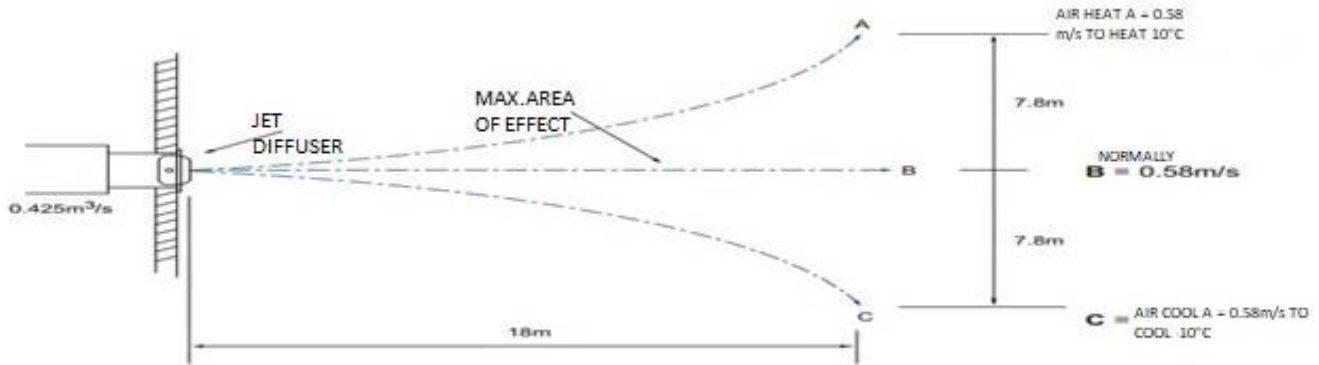
STANDARD DIMENSIONS



<u>ÖLÇÜ</u>	<u>A Ø</u>	<u>Ø B</u>	<u>Ø C</u>	<u>H1</u>	<u>H2</u>
<u>Ø 150</u>	145	210	100	120	60
<u>Ø 200</u>	195	260	150	120	60
<u>Ø 250</u>	245	310	200	130	60
<u>Ø 300</u>	295	360	250	145	60
<u>Ø 350</u>	345	410	300	175	60
<u>Ø 400</u>	395	460	350	220	60



TECNICAL INFORMATION



EASY SELECTION TABLE:

SIZE	AIR SPEED	2	3	4	5	6	7	8
Ø 150	AIR FLOW	127	191	254	318	382	446	507
	SOUND LEVEL		13	24	32	38	44	50
	PRESSURE LOSS	8	17	31	47	68	93	121
	SHOOTING DISTANCE	3-4,5	3,5-6	4,7-8	5-8,5	5,5-10	6-11,5	6,5-12,5
Ø 200	AIR FLOW	230	345	461	576	690	805	921
	SOUND LEVEL		13	24	32	38	44	50
	PRESSURE LOSS	8	17	31	47	68	93	121
	SHOOTING DISTANCE	3,5-6	4-7,5	5-8,5	5,8-10	6,5-11	6,7-12	7,3-13
Ø 250	AIR FLOW	333	500	666	883	1000	1164	1331
	SOUND LEVEL		15	19	27	34	39	45
	PRESSURE LOSS	6	13	23	35	51	69	90
	SHOOTING DISTANCE	4,5-6,5	5-9,5	6-10,5	6,5-12	7,5-13	8-14,5	8,5-15,5
Ø 300	AIR FLOW	509	763	1017	1272	1526	1780	2035
	SOUND LEVEL			20	28	34	41	45
	PRESSURE LOSS	3	9	15	23	34	46	60
	SHOOTING DISTANCE	5-8,8	6-10,7	7-12,5	7,8-14	9-15,3	9,5-16,7	15-18
Ø 350	AIR FLOW	692	1038	1385	1731	2077	2424	2770
	SOUND LEVEL			18	27	33	39	47
	PRESSURE LOSS	4	8	18	21	30	41	53
	SHOOTING DISTANCE	5,5-10	7-12,2	8-14,5	9-15,9	10-17,5	10,5-19	11,5-20,5
Ø 400	AIR FLOW	904	1357	1809	2261	2713	3165	3617
	SOUND LEVEL			18	27	33	39	44
	PRESSURE LOSS	2	6	10	13	22	30	39
	SHOOTING DISTANCE	6,5-13	8-13,7	8,8-16,1	10,5-18	11,3-19,8	21-24,5	13,122,9